

Receiver

From

Society
Reference
Address
Phone
Fax
E-mail

Item n° :

60161880

Model :

GENIX 130

Pump data

Min. fluid temperature : 0 °C
Max. fluid temperature : 50 °C
Max. Ambient temperature : 25 °C
Min. Temperature operating : 5 °C
Max Flow : 6,9 m³/h
Max. Head : 8 m
Max. Head (EN12050-3) : 6 m

Requested data

Flow :
Head :
Fluid : Dirty water
Fluid Temperature : 20 °C
Density : 0,998 kg/dm³
Kinematic viscosity : 1 mm²/s
Vapor pressure :

Hydraulic data (duty point)

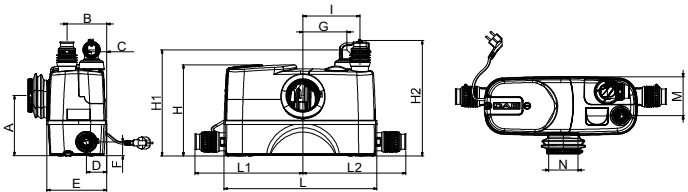
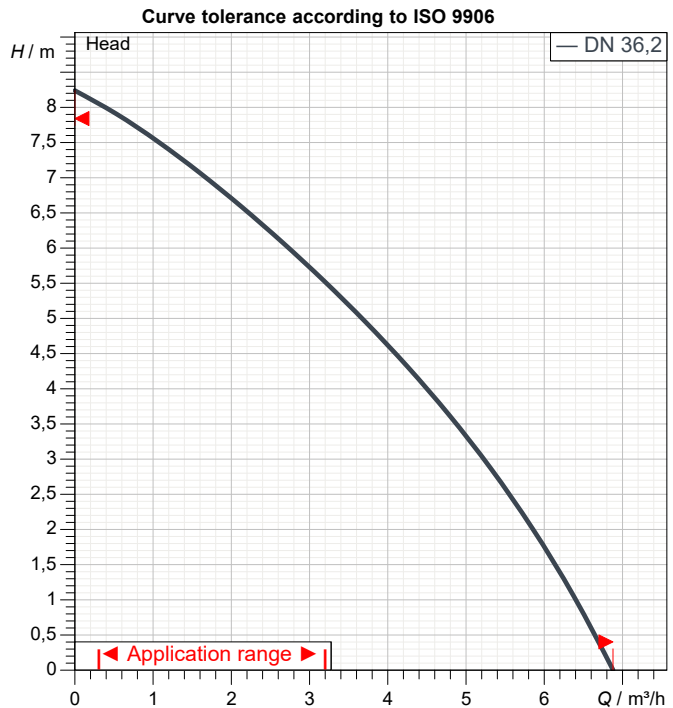
Flow :
Head :

Materials

Impeller : Polypropylene 30% fiber glass
Tank : Polypropylene 30% Barium
Shaft : Stainless steel
Cover : Stainless steel
Soundproofing (COMFORT) : Polypropylene 70% Barium
Grinder : AISI 304/420
OR ring : NBR

Motor data

Motor brand : DAB
Nominal power P2 : 0,32 kW
Rated speed : 2.900 1/min
Rated voltage : 1~ 230 V
Nominal current : 2,3 A
Degree of protection : IP 44



Weight : 10,6 kg

Dimensions in mm

A	183	G	178	L1	322		
B	118	H	277	L2	307		
C	45	H1	323	M	118		
D	60	H2	351	N	87		
E	178	I	170				
F	42	L	456				

Pump connection

DN 22/25/28/32/36/40

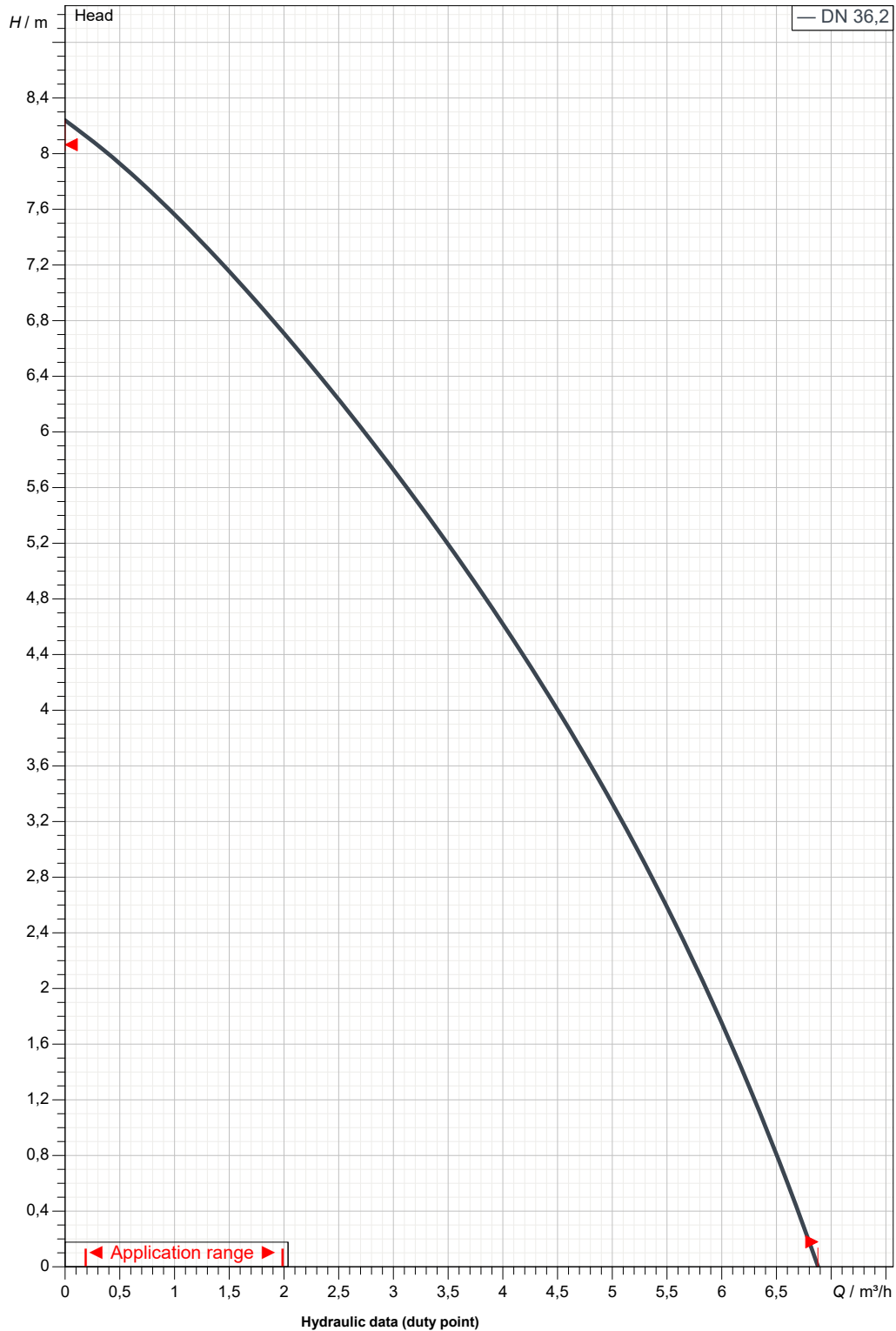
Receiver

From

Society
Reference
Address
Phone
Fax
E-mail

GENIX 130

Curve tolerance according to ISO 9906



Suction side :

Discharge side :

Flow :

Head :

Rated speed :

2.900 1/min

MAIN_PROJECT_TITLE

BUSINESS_PROCESS_ID

Progetto senza titolo 2019-12-03 05:48:34.33:

OWNER_

ISSUE_DATE

03/12/2019



DIMENSIONAL DRAWING

2019-12-03

Page 3 / 3

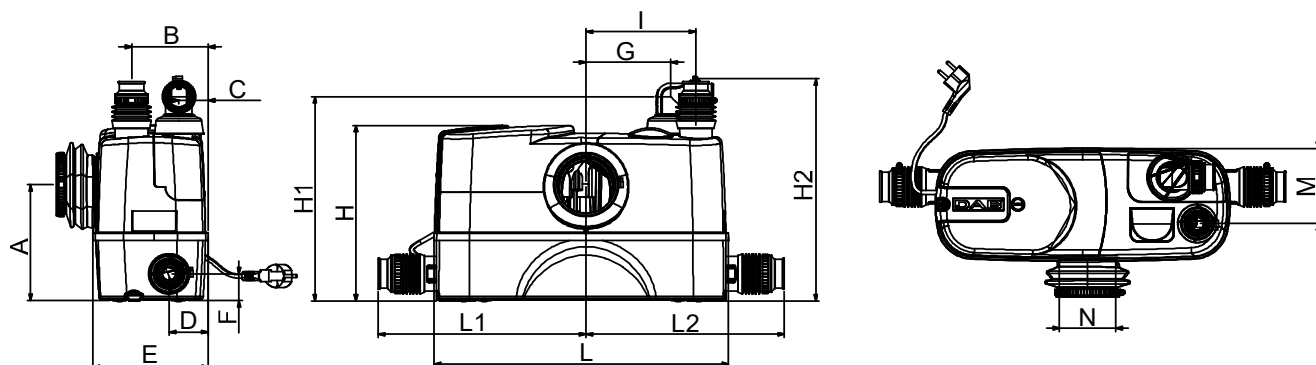
DAB PUMPS S.p.A.
Via Marco Polo, 14 - 35035 Mestrino (PD), Italy
Tel. +39 049 5125000 - Fax +39 049 5125950
www.dabpumps.com

Receiver

From

Society
Reference
Address
Phone
Fax
E-mail

GENIX 130



Dimensions in mm

Pump connection

1	A	183	L1	322			Suction
2	B	118	L2	307			
3	C	45	M	118			
4	D	60	N	87			
5	E	178					
6	F	42					
7	G	178					
8	H	277				Discharge	
9	H1	323					
10	H2	351					
11	I	170					
12	L	456					

MAIN_PROJECT_TITLE

BUSINESS_PROCESS_ID

OWNER_

ISSUE_DATE

Progetto senza titolo 2019-12-03 05:48:34.33:

03/12/2019